

JAY[®] FIT SYSTEM

Modular Adjustable Contour Seating

For Katie and her team of rehab professionals, the Jay Fit System is an effective way to give her the customized seating and positioning options she needs.

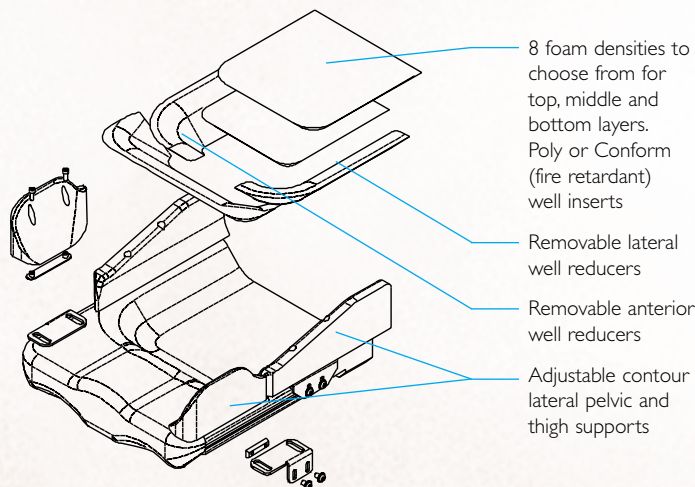
The Jay Fit System can keep everyone, including cowgirls like Katie, sitting tall in the saddle.





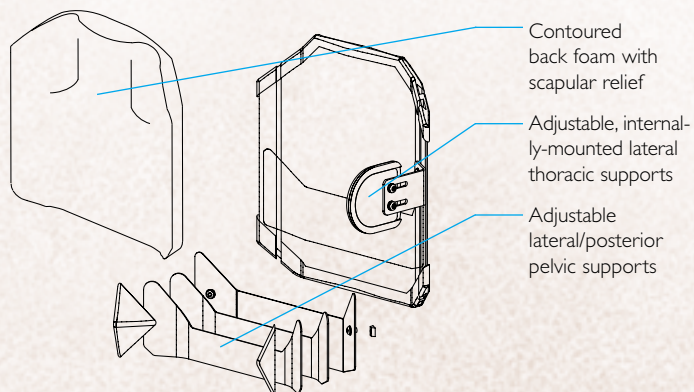
The Jay Fit System was developed to accommodate a child's growth as well as their changing functional seating needs. It meets the clinical needs of a broad range of clients by incorporating positioning concepts from the Jay product line in an innovative way. The Jay Fit System is the premier seating system available today, offering children an effective clinical intervention early in life for improved function later in life. The system is available for frame widths from 10" to 16" and seat depths from 8" to 20" with room to grow.

Jay Fit Adjustable Contour Seat



The Jay Fit System adjustable contour seat fills the gap where other molded and custom contour seating systems fall short. And, the Jay Fit's single-action cable release mechanism makes seat removal and reattachment a snap, while still providing solid, stable attachment.

Jay Fit Adjustable Contour Back



The Jay Fit contour back also promotes a child's independence and comfort through upper body stability and proper positioning. The system's shoulder harness guides offer precise positioning of any over-the-shoulder strap support, and the universal headrest mounting plate allows for easy attachment of all popular headrests.